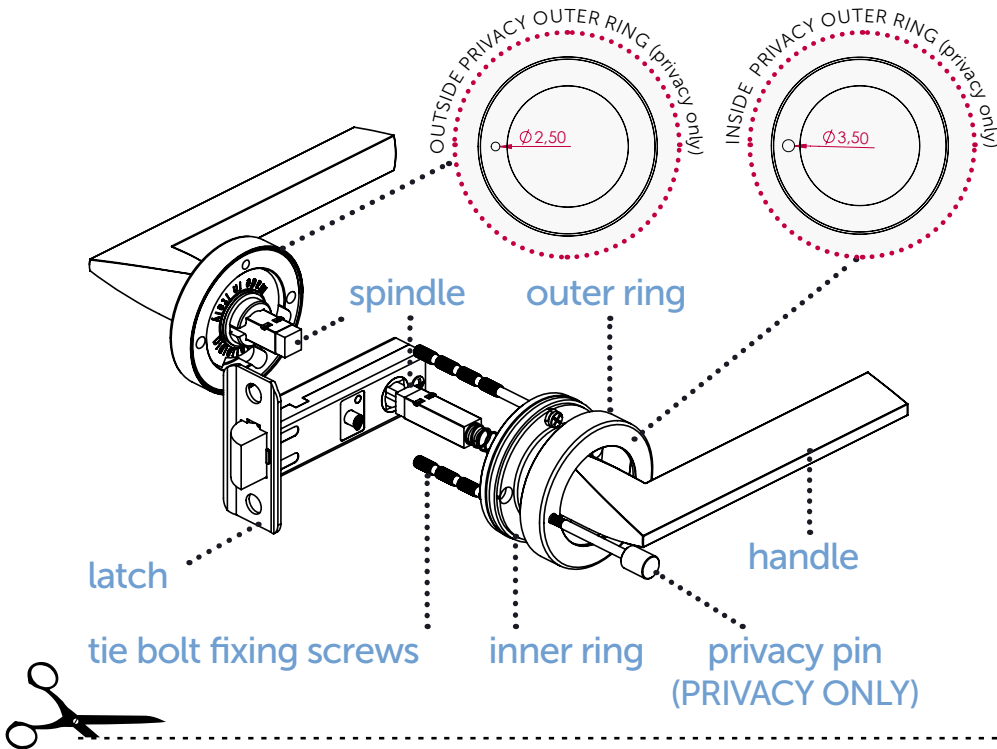
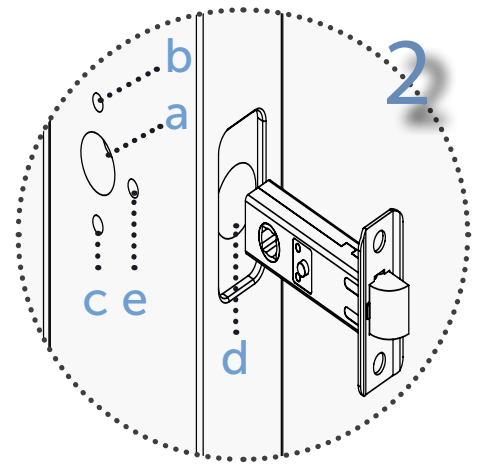
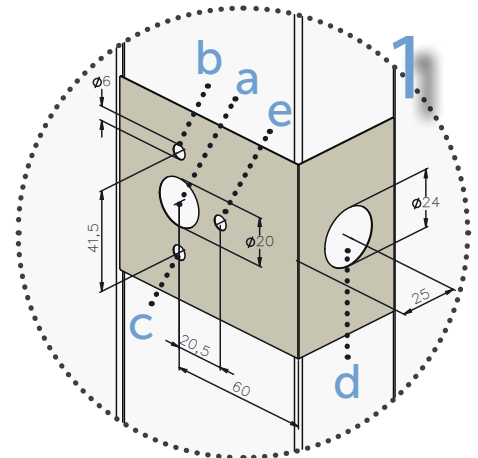


|| PASSAGE & PRIVACY SET FITTING INSTRUCTIONS ||

1. Using the template below, draw drilling centres into the door.
2. For privacy set drill holes **a** to **e**, whereas for passage set drill holes **a** to **d**, as indicated in Figure 1 and Figure 2.
3. Insert spindle and spring set into handle shaft as shown on both sides of the door.
4. insert and tighten two tie bolt screws to secure the levers.
5. Insert privacy pin on inside ring, if using a privacy set.
6. Warranty may be void if incorrectly installed.



|| PRIVACY SET INSTALLATION ||

Important - Double check dimensions if printing from an electronic version

